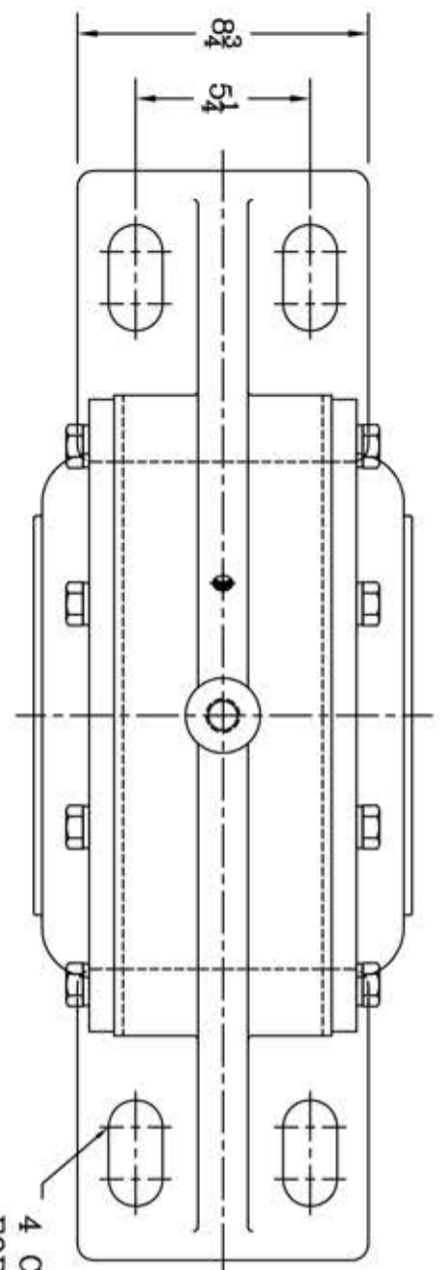
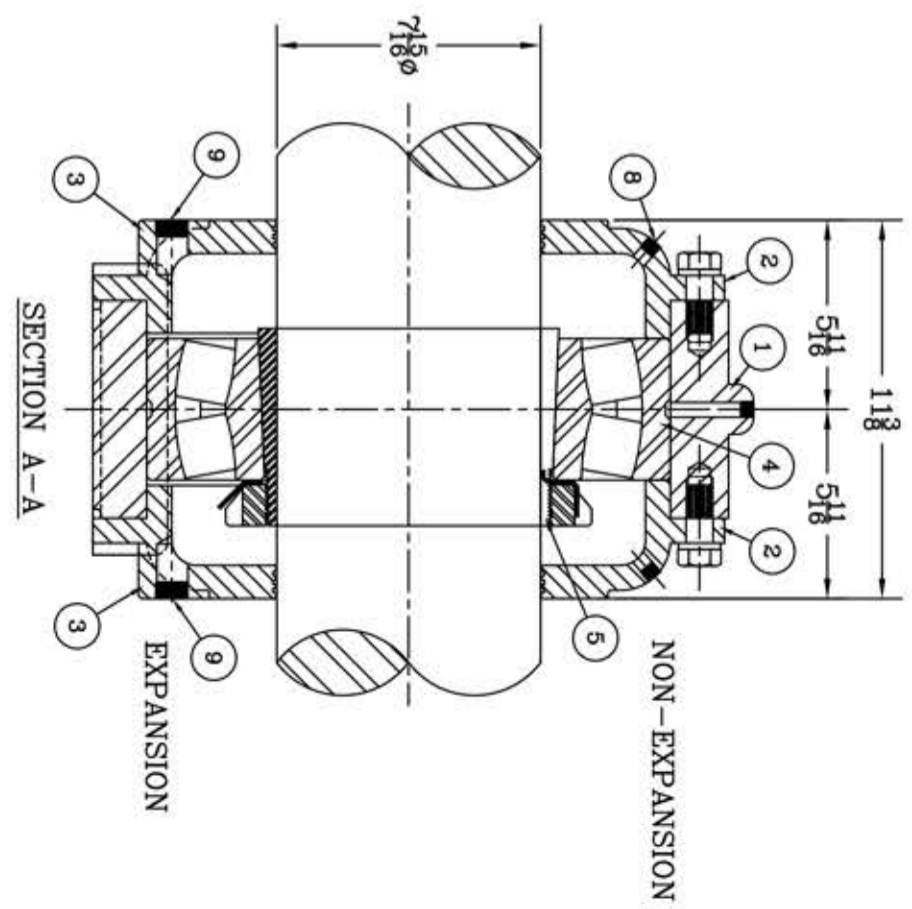
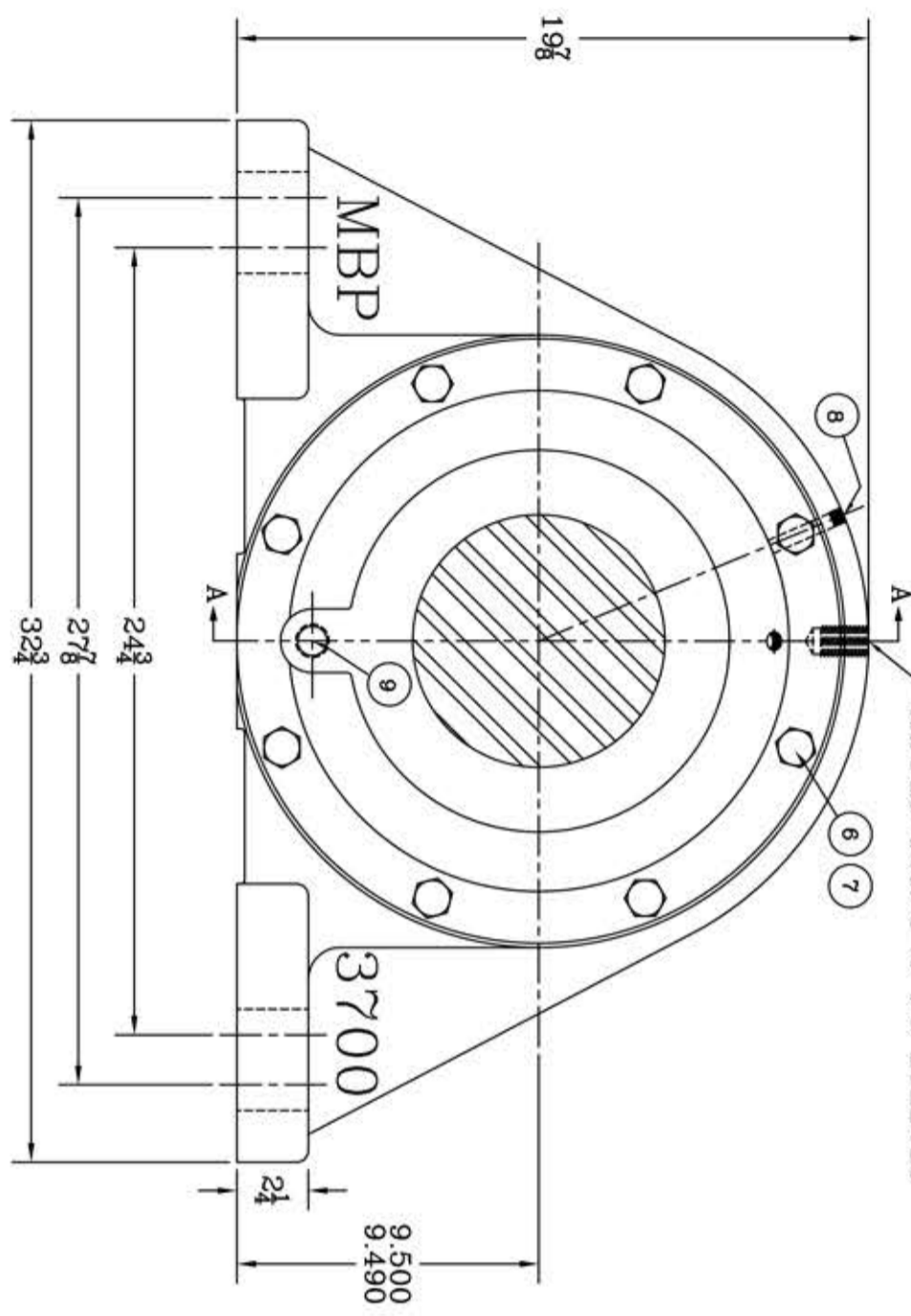


This drawing is the sole property of Miether Bearing Products and contains confidential and proprietary information. It is being provided to you for your use and may not be disclosed to any third party or used for any other purpose without Miether's prior written consent. The [materials] must be returned to the Company upon its demand. Your acceptance of these materials constitutes your acceptance of the foregoing terms.

C-14730



ITEM	DESCRIPTION	DETAIL	NEL	EL
1	HOUSING M-3700	C-23801	1	1
2	ENDCAP F-3676 NEL	C-23146	1	0
3	ENDCAP F-3677 EL	C-23147	0	1
4	SPHERICAL ROLLER BEARING	22244K/W33	1	1
5	SNW 44 07-15	C-24466	1	1
6	HX. HD. CAP SCREW	3/4-10NC X 2" LG.	16	16
7	LOCKWASHER	3/4 SPLIT MED	16	16
8	PIPE PLUG	1/4-18 NPT	3	3
9	PIPE PLUG	3/4-14 NPT	2	2



REDRAWN ON COMPUTER FROM OLD PRINT 9/14/71 BY D.M.I. 9/13/96 PER J.N.H.

REVISIONS

SYMBOL	DESCRIPTION
C	...
D	...
E	...
F	...
G	...
J	...
K	...

TOLERANCE: UNLESS OTHERWISE SPECIFIED
 FRACTIONS +- 1/32"
 DECIMALS +- .005"
 CASTING +- 1/16"
 WELD +- 1/16"
 ANGLES +- 0° 30'
 A.I.S.I. STANDARD FINISHES

AN ALCO INDUSTRIES COMPANY
 BEARING PRODUCTS
 ODESSA, TX. USA

MMW 22544	07-15
ASSEMBLY DRAWING	
SCALE 1 = 4	ASSEMBLY NO.
DRAWN JC	DRAWING NO.
DATE 9/14/71	C-14730
CHK:	